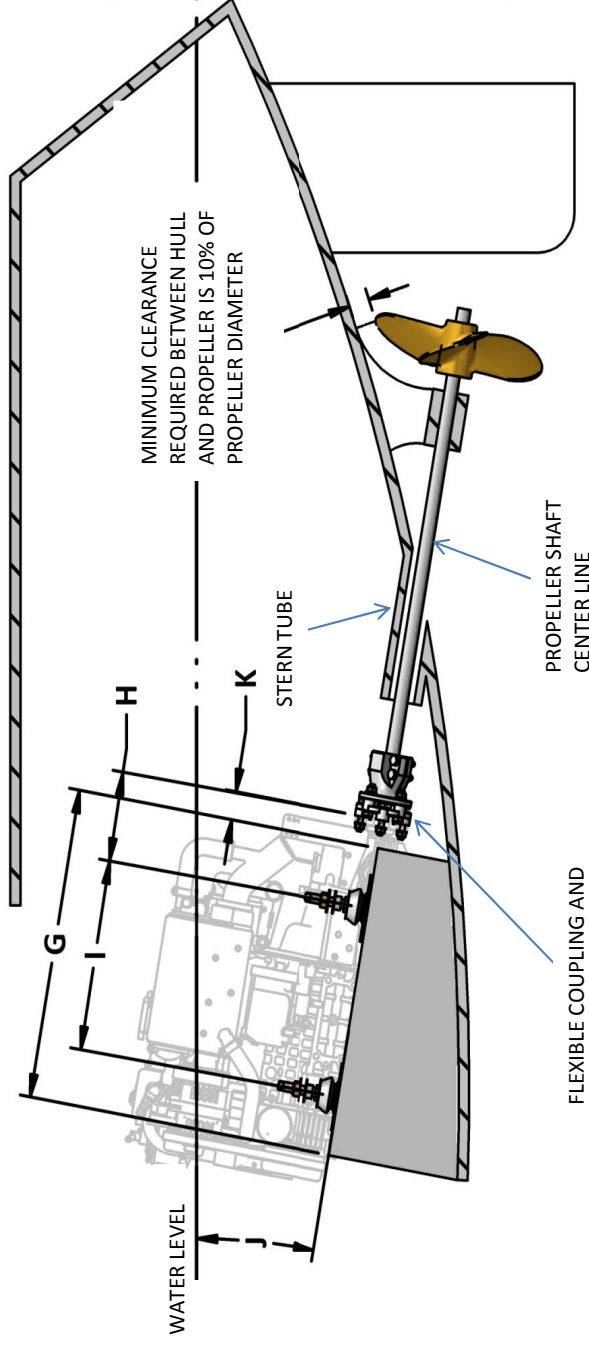
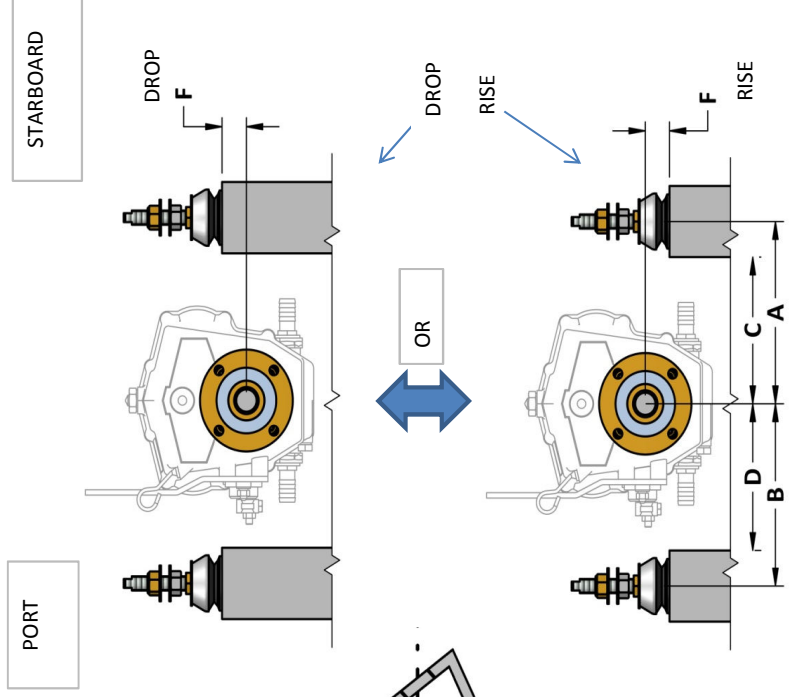


**SPECIAL FEET FORM
HEAT EXCHANGER**



WOC NUMBER (IF KNOWN)	
NAME	
ADDRESS	
TEL	
E-MAIL	
ENGINE TYPE	
GEARBOX	

A	SHAFT CENTRE TO STARBOARD	H	SHAFT FACE TO CENTRE OF REAR MOUNT PORT
B	SHAFT CENTRE TO PORT	I	REAR MOUNT TO FRONT MOUNT PORT
C	SHAFT CENTRE TO INSIDE BEARER STARBOARD	H2	SHAFT FACE TO CENTRE OF REAR MOUNT STARBOARD
D	SHAFT CENTRE TO INSIDE BEARER PORT	I2	REAR MOUNT TO FRONT MOUNT STARBOARD
E	BEARER TOP TO HULL BOTTOM	J	ANGLE OF ENGINE
F	SHAFT CENTRE TO BEARER TOP	K	SHAFT FACE TO START OF BEARERS
G	MAXIMUM BEARER LENGTH	BOAT TYPE:	
		OLD ENGINE TYPE:	